

Accessories for Ex9N



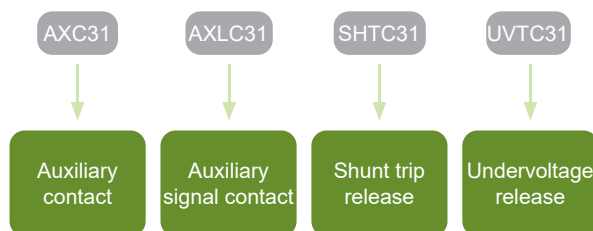
- Accessories for Ex9N - (Ex9NLA EL, Ex9NLE EL, Ex9NL-N)
- Auxiliary contacts synchronous with main contacts of the device
- Signal contacts active on electrical tripping of the circuit breaker
- Shunt trip releases
- Undervoltage releases
- According to IEC/EN 60947-5-1

Accessories are designed in the way to be possible to combine different types with one installation device. It can be used up to two releases plus up to three units of auxiliary or signal contacts

Shunt trip release SHTC31 can be used for remote switch off function, undervoltage release UVTC31 to switch connected device off in case of voltage drop.

Auxiliary and signal contact units must be mounted from the left to the device or to the release unit(s) when installed. Contact units are equipped with 1 changeover contact (CO).

Type Key



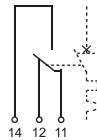
Accessories for Ex9N

Auxiliary and signal contact units



Function	Contacts	Article No.	Type	Packing
Auxiliary	1 CO	112869	AXC31 11	12/180
Signal	1 CO	112870	AXLC31 11	12/180

Wiring diagrams



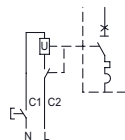
AXC31 / AXLC31

Shunt trip releases



Aux. cont.	AC Op. Volt.	DC Op. Volt.	Article No.	Type	Packing
-	230/400	-	103548	SHTC31 230/400V AC	1/135
-	48	48	112871	SHTC31 48V AC/DC	1/135
-	24	24	112872	SHTC31 24V AC/DC	1/135

Wiring diagrams



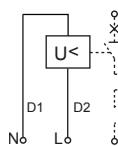
SHTC31

Undervoltage releases



Aux. cont.	AC Op. Volt.	DC Op. Volt.	Article No.	Type	Packing
-	230V	-	103552	UVTC31 230V AC	1/135

Wiring diagrams



UVTC31

Technical Data Accessories

Accessories for Ex9N

Auxiliary and signal contact units AXC31, AXLC31

General parameters

With one device, there can be used up to three contact units
Contact units can be combined in an arbitrary way
Contact units are mounted to the device from the left
In case of installed release unit(s), contact modules are mounted left to the release(s)
Auxiliary contacts synchronous with main contacts of the device
Signal contacts active on electrical tripping of the circuit breaker (tripping signal contacts)

Electrical parameters

	AXC31 11	AXLC31 11
Contacts	1 CO	1 CO
Contact function	auxiliary	signal
Tested according to	IEC/EN 60947-1, IEC/EN 60947-5-1	
Rated op. voltage	240/415 V AC, 24/48/130 V DC	
Min. op. voltage per contact U_{min}	24 V AC/DC	
Rated frequency	50/60 Hz	
Rated op. current I_e AC	6 A (240 V), 3 A (415 V)	
Rated op. current I_e DC	6 A (24 V), 2 A (48 V), 1 A (130 V)	
Rated thermal current I_{th}	6 A	
Rated op. current I_e , ut. cat. AC-12	6 A (240 V), 3 A (415 V)	
Rated op. current I_e , ut. cat. DC-12	6 A (24 V), 2 A (48 V), 1 A (130 V)	
Rated impulse withstand voltage U_{imp}	4 kV (1.2/50 μ s)	
Rated insulation voltage U_i	500 V	
Max. back-up fuse	10 A gG	
Conditional short circuit current I_k with max. back-up fuse	1 kA	

Mechanical parameters

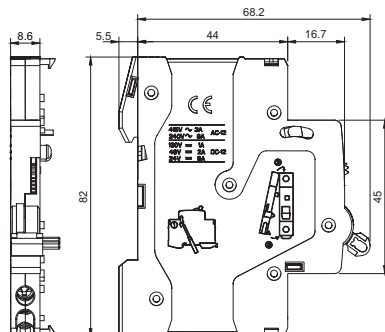
	AXC31 11	AXLC31 11
Tripping indicator	ON-OFF-RESET	ON-OFF-RESET
Device width	9 mm	
Device height	89 mm	
Frame size	45 mm	
Mounting	easy fastening onto 35 mm device rail (DIN)	
Degree of protection	IP20	
Terminals	lift	
Terminal capacity	1 — 6 mm ²	
Fastening torque of terminals	0.8 — 1 Nm	

Technical Data Accessories

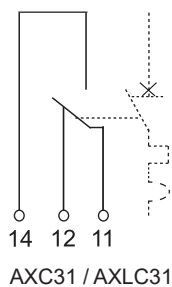
Accessories for Ex9N

Auxiliary and signal contact units AXC31, AXLC31

Dimensions



Wiring diagrams



Technical Data Accessories

Accessories for Ex9N

Shunt trip releases SHTC31

General parameters

With one RCBO can be used up to two release units (shunt trip or undervoltage), they can be combined in an arbitrary way

Releases are mounted to the device from the left side

SHTC31 can be used for remote switch off function

Electrical parameters

	SHTC31 230/400V AC	SHTC31 24V AC/DC	SHTC31 48V AC/DC
Tested according to	IEC/EN 60947-5		
Rated operating voltage U_n	230/400 V AC	24 V AC/DC	48 V AC/DC
Operating voltage range	70 - 110% U_n		
Rated frequency	50/60 Hz		
Rated impulse withstand voltage U_{imp}	4 kV (1.2/50 μ s)		
Rated insulation voltage	500 V		
Tripping time	< 10 ms		
Min. duration of control pulse	8 ms		
Max. back-up fuse	10 A gG		
Electrical service life	4 000 operating cycles		
Rated op. current I_e AC of AX contact	6 A (240 V), 3 A (415 V)		
Rated op. current I_e DC of AX contact	6 A (24 V), 2 A (48 V)		
Rated thermal current I_{th} of AX cont.	6 A		
Rated op. current I_e AC-12 of AX	6 A (240 V), 3 A (415 V)		
Rated op. current I_e DC-12 of AX	6 A (24 V), 2 A (48 V)		
Max. back-up fuse of AX	10 A gG		
Conditional short circuit current I_k with max. back-up fuse of AX	1 kA		

Mechanical parameters

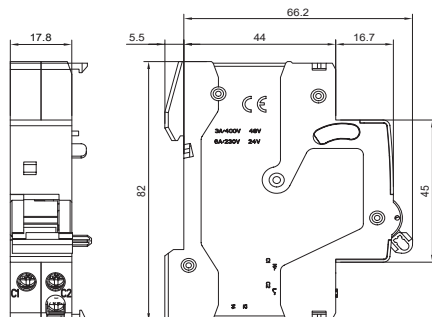
	SHTC31 230/400V AC	SHTC31 24V AC/DC	SHTC31 48V AC/DC
Tripping indicator	red-white	red-white	red-white
Device width	18 mm		
Device height	83 mm		
Frame size	45 mm		
Mounting	easy fastening onto 35 mm device rail (DIN)		
Degree of protection	IP20		
Mechanical service life	4 000 operating cycles		
Terminals	lift		
Terminal capacity	2.5 mm ²		
Fastening torque of terminals	0.8 Nm		
Ambient temperature	-5 — +40 °C		
Storage temperature	-25 — +70 °C		
Pollution degree	2		

Technical Data Accessories

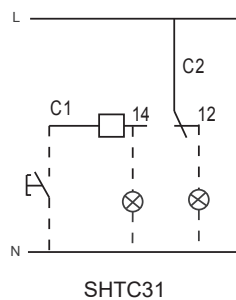
Accessories for Ex9N

Shunt trip releases SHTC31

Dimensions



Wiring diagram



Technical Data Accessories

Accessories for Ex9N

Undervoltage release UVTC31

General parameters

With one RCBO can be used up to two release units (shunt trip or undervoltage), they can be combined in an arbitrary way

Release units are mounted to the RCBO from the left side

To switch connected device off in case of voltage drop

Electrical parameters

	UVTC31 230V AC
Tested according to	IEC/EN 60947-5
Rated operating voltage U_n	230 V AC
Rated frequency	50/60 Hz
Rated impulse withstand voltage U_{imp}	4 kV (1.2/50 μ s)
Rated insulation voltage	500 V
Tripping time	< 10 ms
Making threshold	85 % U_n
Tripping threshold	35 % U_n
Electrical service life	4 000 operating cycles

Mechanical parameters

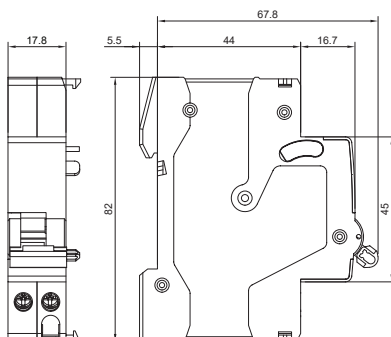
	UVTC31 230V AC
Tripping indicator	red-white
Device width	18 mm
Device height	83 mm
Frame size	45 mm
Mounting	easy fastening onto 35 mm device rail (DIN)
Degree of protection	IP20
Mechanical service life	4 000 operating cycles
Terminals	lift
Terminal capacity	2.5 mm ²
Fastening torque of terminals	0.8 Nm
Ambient temperature	-5 — +40 °C
Storage temperature	-25 — +70 °C
Pollution degree	2

Technical Data Accessories

Accessories for Ex9N

Undervoltage releases UVTC31

Dimensions



Wiring diagrams

